

ISSN 2518-1491 (Online),  
ISSN 2224-5286 (Print)

ҚАЗАҚСТАН РЕСПУБЛИКАСЫ  
ҰЛТТЫҚ ҒЫЛЫМ АКАДЕМИЯСЫНЫҢ

Д.В.Сокольский атындағы «Жанармай,  
катализ және электрохимия институты» АҚ

# Х А Б А Р Л А Р Ы

## ИЗВЕСТИЯ

НАЦИОНАЛЬНОЙ АКАДЕМИИ НАУК  
РЕСПУБЛИКИ КАЗАХСТАН  
АО «Институт топлива, катализа и  
электрохимии им. Д.В. Сокольского»

## NEWS

OF THE ACADEMY OF SCIENCES  
OF THE REPUBLIC OF KAZAKHSTAN  
JSC «D.V. Sokolsky institute of fuel, catalysis  
and electrochemistry»

**SERIES**  
**CHEMISTRY AND TECHNOLOGY**

**1 (439)**

**JANUARY – FEBRUARY 2020**

PUBLISHED SINCE JANUARY 1947

PUBLISHED 6 TIMES A YEAR

ALMATY, NAS RK

---

*NAS RK is pleased to announce that News of NAS RK. Series of chemistry and technologies scientific journal has been accepted for indexing in the Emerging Sources Citation Index, a new edition of Web of Science. Content in this index is under consideration by Clarivate Analytics to be accepted in the Science Citation Index Expanded, the Social Sciences Citation Index, and the Arts & Humanities Citation Index. The quality and depth of content Web of Science offers to researchers, authors, publishers, and institutions sets it apart from other research databases. The inclusion of News of NAS RK. Series of chemistry and technologies in the Emerging Sources Citation Index demonstrates our dedication to providing the most relevant and influential content of chemical sciences to our community.*

*Қазақстан Республикасы Ұлттық ғылым академиясы "ҚР ҰҒА Хабарлары. Химия және технология сериясы" ғылыми журналының Web of Science-тің жаңаланған нұсқасы Emerging Sources Citation Index-те индекстелуге қабылданғанын хабарлайды. Бұл индекстелу барысында Clarivate Analytics компаниясы журналды одан әрі the Science Citation Index Expanded, the Social Sciences Citation Index және the Arts & Humanities Citation Index-ке қабылдау мәселесін қарастыруда. Web of Science зерттеушілер, авторлар, баспашылар мен мекемелерге контент тереңдігі мен сапасын ұсынады. ҚР ҰҒА Хабарлары. Химия және технология сериясы Emerging Sources Citation Index-ке енуі біздің қоғамдастық үшін ең өзекті және беделді химиялық ғылымдар бойынша контентке адалдығымызды білдіреді.*

*НАН РК сообщает, что научный журнал «Известия НАН РК. Серия химии и технологий» был принят для индексирования в Emerging Sources Citation Index, обновленной версии Web of Science. Содержание в этом индексировании находится в стадии рассмотрения компанией Clarivate Analytics для дальнейшего принятия журнала в the Science Citation Index Expanded, the Social Sciences Citation Index и the Arts & Humanities Citation Index. Web of Science предлагает качество и глубину контента для исследователей, авторов, издателей и учреждений. Включение Известия НАН РК в Emerging Sources Citation Index демонстрирует нашу приверженность к наиболее актуальному и влиятельному контенту по химическим наукам для нашего сообщества.*

Б а с р е д а к т о р ы

х.ғ.д., проф., ҚР ҰҒА академигі  
**М.Ж. Жұрынов**

Р е д а к ц и я а л қ а с ы:

**Ағабеков В.Е.** проф., академик (Белорус)  
**Волков С.В.** проф., академик (Украина)  
**Воротынцев М.А.** проф., академик (Ресей)  
**Газалиев А.М.** проф., академик (Қазақстан)  
**Ергожин Е.Е.** проф., академик (Қазақстан)  
**Жармағамбетова А.К.** проф. (Қазақстан), бас ред. орынбасары  
**Жоробекова Ш.Ж.** проф., академик (Қырғыстан)  
**Иткулова Ш.С.** проф. (Қазақстан)  
**Манташян А.А.** проф., академик (Армения)  
**Пралиев К.Д.** проф., академик (Қазақстан)  
**Баешов А.Б.** проф., академик (Қазақстан)  
**Бүркітбаев М.М.** проф., академик (Қазақстан)  
**Джусипбеков У.Ж.** проф. корр.-мүшесі (Қазақстан)  
**Молдахметов М.З.** проф., академик (Қазақстан)  
**Мансуров З.А.** проф. (Қазақстан)  
**Наурызбаев М.К.** проф. (Қазақстан)  
**Рудик В.** проф., академик (Молдова)  
**Рахимов К.Д.** проф. академик (Қазақстан)  
**Стрельцов Е.** проф. (Белорус)  
**Тәшімов Л.Т.** проф., академик (Қазақстан)  
**Тодераш И.** проф., академик (Молдова)  
**Халиков Д.Х.** проф., академик (Тәжікстан)  
**Фарзалиев В.** проф., академик (Әзірбайжан)

«ҚР ҰҒА Хабарлары. Химия және технология сериясы».

[ISSN 2518-1491 \(Online\)](#)

[ISSN 2224-5286 \(Print\)](#)

Меншіктенуші: «Қазақстан Республикасының Ұлттық ғылым академиясы» Республикалық қоғамдық бірлестігі (Алматы қ.)

Қазақстан республикасының Мәдениет пен ақпарат министрлігінің Ақпарат және мұрағат комитетінде 30.04.2010 ж. берілген №1089-Ж мерзімдік басылым тіркеуіне қойылу туралы куәлік

Мерзімділігі: жылына 6 рет.

Тиражы: 300 дана.

Редакцияның мекенжайы: 050010, Алматы қ., Шевченко көш., 28; 219, 220 бөл.; тел.: 272-13-19; 272-13-18,  
<http://chemistry-technology.kz/index.php/en/arhiv>

---

© Қазақстан Республикасының Ұлттық ғылым академиясы, 2020

Типографияның мекенжайы: «NurNaz GRACE», Алматы қ., Рысқұлов көш., 103.

Главный редактор

д.х.н., проф., академик НАН РК

**М. Ж. Журинов**

Редакционная коллегия:

**Агабеков В.Е.** проф., академик (Беларусь)  
**Волков С.В.** проф., академик (Украина)  
**Воротынцев М.А.** проф., академик (Россия)  
**Газалиев А.М.** проф., академик (Казахстан)  
**Ергожин Е.Е.** проф., академик (Казахстан)  
**Жармагамбетова А.К.** проф. (Казахстан), зам. гл. ред.  
**Жоробекова Ш.Ж.** проф., академик (Кыргызстан)  
**Иткулова Ш.С.** проф. (Казахстан)  
**Манташян А.А.** проф., академик (Армения)  
**Пралиев К.Д.** проф., академик (Казахстан)  
**Баешов А.Б.** проф., академик (Казахстан)  
**Буркитбаев М.М.** проф., академик (Казахстан)  
**Джусипбеков У.Ж.** проф. чл.-корр. (Казахстан)  
**Мулдахметов М.З.** проф., академик (Казахстан)  
**Мансуров З.А.** проф. (Казахстан)  
**Наурызбаев М.К.** проф. (Казахстан)  
**Рудик В.** проф., академик (Молдова)  
**Рахимов К.Д.** проф. академик (Казахстан)  
**Стрельцов Е.** проф. (Беларусь)  
**Ташимов Л.Т.** проф., академик (Казахстан)  
**Тодераш И.** проф., академик (Молдова)  
**Халиков Д.Х.** проф., академик (Таджикистан)  
**Фарзалиев В.** проф., академик (Азербайджан)

**«Известия НАН РК. Серия химии и технологии».**

[ISSN 2518-1491 \(Online\)](#)

[ISSN 2224-5286 \(Print\)](#)

Собственник: Республиканское общественное объединение «Национальная академия наук Республики Казахстан» (г. Алматы)

Свидетельство о постановке на учет периодического печатного издания в Комитете информации и архивов Министерства культуры и информации Республики Казахстан №10893-Ж, выданное 30.04.2010 г.

Периодичность: 6 раз в год

Тираж: 300 экземпляров

Адрес редакции: 050010, г. Алматы, ул. Шевченко, 28; ком. 219, 220; тел. 272-13-19; 272-13-18,

<http://chemistry-technology.kz/index.php/en/arhiv>

---

© Национальная академия наук Республики Казахстан, 2020

Адрес редакции: 050100, г. Алматы, ул. Кунаева, 142,  
Институт органического катализа и электрохимии им. Д. В. Сокольского,  
каб. 310, тел. 291-62-80, факс 291-57-22, e-mail:orgcat@nursat.kz

Адрес типографии: «NurNaz GRACE», г. Алматы, ул. Рыскулова, 103.

E d i t o r i n c h i e f

doctor of chemistry, professor, academician of NAS RK  
**M.Zh. Zhurinov**

E d i t o r i a l b o a r d:

**Agabekov V.Ye.** prof., academician (Belarus)  
**Volkov S.V.** prof., academician (Ukraine)  
**Vorotyntsev M.A.** prof., academician (Russia)  
**Gazaliyev A.M.** prof., academician (Kazakhstan)  
**Yergozhin Ye.Ye.** prof., academician (Kazakhstan)  
**Zharmagambetova A.K.** prof. (Kazakhstan), deputy editor in chief  
**Zhorobekova Sh.Zh.** prof., academician ( Kyrgyzstan)  
**Itkulova Sh.S.** prof. (Kazakhstan)  
**Mantashyan A.A.** prof., academician (Armenia)  
**Praliyev K.D.** prof., academician (Kazakhstan)  
**Bayeshov A.B.** prof., academician (Kazakhstan)  
**Burkitbayev M.M.** prof., academician (Kazakhstan)  
**Dzhusipbekov U.Zh.** prof., corr. member (Kazakhstan)  
**Muldakhmetov M.Z.** prof., academician (Kazakhstan)  
**Mansurov Z.A.** prof. (Kazakhstan)  
**Nauryzbayev M.K.** prof. (Kazakhstan)  
**Rudik V.** prof., academician (Moldova)  
**Rakhimov K.D.** prof., academician (Kazakhstan)  
**Streltsov Ye.** prof. (Belarus)  
**Tashimov L.T.** prof., academician (Kazakhstan)  
**Toderash I.** prof., academician (Moldova)  
**Khalikov D.Kh.** prof., academician (Tadjikistan)  
**Farzaliyev V.** prof., academician (Azerbaijan)

**News of the National Academy of Sciences of the Republic of Kazakhstan. Series of chemistry and technology.**

[ISSN 2518-1491 \(Online\)](#),

[ISSN 2224-5286 \(Print\)](#)

Owner: RPA "National Academy of Sciences of the Republic of Kazakhstan" (Almaty)

The certificate of registration of a periodic printed publication in the Committee of Information and Archives of the Ministry of Culture and Information of the Republic of Kazakhstan N 10893-Ж, issued 30.04.2010

Periodicity: 6 times a year

Circulation: 300 copies

Editorial address: 28, Shevchenko str., of. 219, 220, Almaty, 050010, tel. 272-13-19; 272-13-18,

<http://chemistry-technology.kz/index.php/en/arhiv>

---

© National Academy of Sciences of the Republic of Kazakhstan, 2020

Editorial address: Institute of Organic Catalysis and Electrochemistry named after D. V. Sokolsky  
142, Kunayev str., of. 310, Almaty, 050100, tel. 291-62-80, fax 291-57-22,  
e-mail: [orgcat@nursat.kz](mailto:orgcat@nursat.kz)

Address of printing house: «NurNaz GRACE», 103, Ryskulov str, Almaty.

**NEWS**

OF THE NATIONAL ACADEMY OF SCIENCES OF THE REPUBLIC OF KAZAKHSTAN  
**SERIES CHEMISTRY AND TECHNOLOGY**

ISSN 2224-5286

<https://doi.org/10.32014/2020.2518-1491.11>

Volume 1, Number 439 (2020), 87 – 94

UDC 662.72:552

<sup>1,2</sup>**Zh.K. Kairbekov**, <sup>2</sup>**S.M. Suimbayeva\***,  
<sup>2</sup>**I.M. Jeldybayeva**, <sup>2</sup>**M.Z. Yessenaliyeva**

<sup>1</sup>RSE Al-Farabi Kazakh National University, Almaty, Republic of Kazakhstan;<sup>2</sup>SSE Research Institute of New Chemical Technologies and Materials, Almaty, Republic of Kazakhstan\*e-mail: [saltanat\\_suimbayeva@mail.ru](mailto:saltanat_suimbayeva@mail.ru)

## **KINETICS OF THE HYDROGENATION PROCESS OF THE COAL AT MAMYT DEPOSIT**

**Abstract.** For the first time, the kinetics of hydrogenation of the Mamyt coal in the presence of an oil pasting agent was studied by the method of equilibrium kinetic analysis. The developed program for calculating the rate constants allows to calculate kinetic dependences under given initial conditions and to carry out automated selection by the gradient method of optimal values of the rate constants  $k_{1-k7}$ . The rate constants were optimized from the condition of minimum squared deviations between the experimental and calculated values of the mass fractions of the products of coal hydrogenation.

The kinetic-thermodynamic picture of the process of coal hydrogenation at the Mamyt coal deposit obtained by us allows not only to get closer to the knowledge of the process mechanism, but also makes it possible to control the speed and selectivity of the process.

**Keywords:** kinetics, Mamyt, coal, hydrogenation.

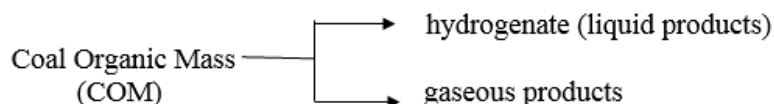
### **Introduction.**

The main and necessary condition for the development of new effective technologies for processing of solid hydrocarbon raw materials, determining the optimal parameters and technical and economic conditions for the process conducting, creating and calculating the hardware design, as well as methods for regulating the process depending on the purpose of the target products is to study the mechanism of transformation of the organic mass of coal, calculation of thermodynamic and kinetic constants of ongoing reactions [1-4].

Coals of various deposits differ in their physicochemical characteristics, properties and composition. All this complicates the study of the kinetics of the processes of hydrogenation processing of coal. A great difficulty in kinetic calculations is caused by multiple simultaneous parallel and sequential reactions in the system [5].

Due to the complexity of the chemical structure of coal, the multicomponent nature of the resulting liquid products, a large number of different kinetic schemes for the process of coal hydrogenation are implemented, which makes it difficult to interpret the results and the uncertainty in the calculation of kinetic parameters. The number of complex reactions occurring in the condensed phase and heterogeneous processes is such that a description of the kinetics of each individual reaction is impossible. Therefore, in a theoretical analysis of the process of coal hydrogenation, it is considered as some single first-order reaction, and some averaged kinetic equations for the dependence of the rate of formation of liquid and gaseous products on temperature are used to describe it [6-8].

At the first stage of solving the kinetic issues of the hydrogenation process, the following scheme for converting the organic mass of coal was used:



Heterogeneous processes are the most difficult for the experimental determination of their kinetic and thermodynamic regularities. The computer simulation of chemical equilibria, which is currently being developed, is related to multicomponent systems and requires complete and reliable a priori information on the properties of each component. We analyse a specific chemical process for which a preliminary knowledge of the properties of the components is optional. All information is extracted from a single series of ordinary temperature and temporary experiments without approaching equilibrium and without strict observance of the set temperature at the beginning of the experiment.

The kinetics of hydrogenation of pyrene, demetallization of heavy oils and asphaltenes, production of boiler fuel, as well as coal hydrogenation in the presence of an oil pasting agent were studied by equilibrium-kinetic analysis (EKA) [9] based on the study [10]. EKA makes it possible to obtain a complex kinetic-thermodynamic picture of the process. Despite a number of advantages, this method has a significant drawback for complex technological processes, since the calculations are carried out for a conditional general reaction scheme, in which parallel and intermediate directions are not taken into account.

Therefore, as already mentioned above, researchers are trying to study the mechanism of the process, drawing up various reaction schemes based on the products obtained.

### Experiment.

In this work, for the first time, the kinetics of coal hydrogenation of the Mamyt deposit is studied by the method of equilibrium-kinetic analysis in order to obtain kinetic regularities of the process.

Figures 1, 2 show the kinetic dependences of the conversion of the organic mass of coal into liquid and gaseous products. Analysis of the graphical dependence of the total yield of hydrogenation products (Figure 3) shows that with an increase in the duration of the experiment and the temperature of the process, the conversion of Coal Organic Mass increases from 32.30 to 93.6 wt. % . However, at temperatures above 675–698 K, the yield of gaseous products increases. This, apparently, is explained by adverse reactions, including cracking of hydrocarbon radicals.

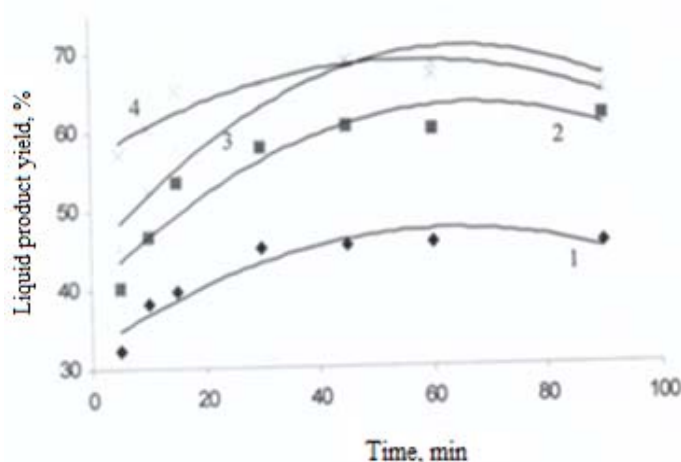


Figure 1 - Kinetic dependences of the conversion of COM into liquid products  
1 - fraction up to 653 K; 2 - fraction up to 673 K; 3 - fraction up to 693 K; 4 - fraction up to 71

It is known that at low temperatures, the process of destructive hydrogenation is limited by the diffusion of coal matter across the phase boundary. D.V. Sokolsky and his colleagues [11] established that hydrogen addition processes under certain conditions can occur in the kinetic medium. We experimentally selected the conditions under which the process proceeds in the kinetic medium.

An analysis of the literature data shows [12–20] that information on the kinetics of coal hydrogenation is mainly presented in a hydrogen medium in the presence of molybdenum and cobalt catalysts. However, experimental data show that hydrogenation does not occur with molecular hydrogen, but through the transfer of hydrogen from a molecule of intermediate liquid carbon products to COM, and the catalyst mainly restores the lost H-donor properties of liquid products. The donor abilities of the paste former are sufficient for the hydrogenation of coal, i.e. the absence of molecular hydrogen does not affect the degree of liquefaction of coal. Therefore, in the general reaction, hydrogen, as a separate component, is not taken into account, and the source of hydrogen is the organic mass of the paste.

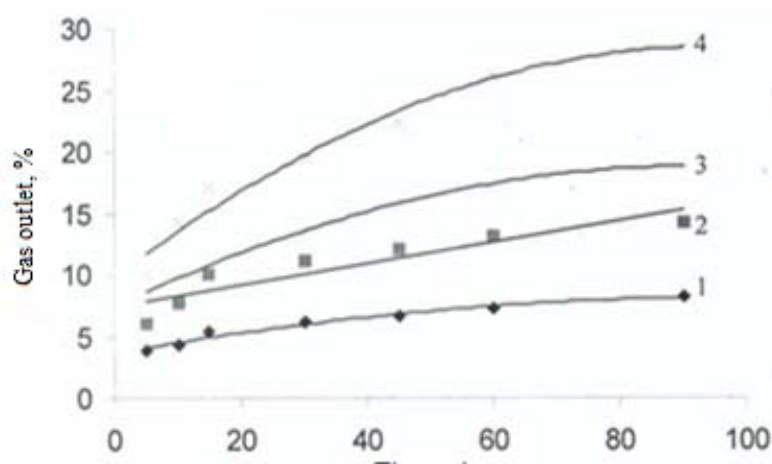


Figure 2– Kinetic dependences of the conversion of COM into gaseous products

fraction up to 653K; 2-fraction up to 673K; 3-fraction up to 693K; 4-fraction up to 713K.

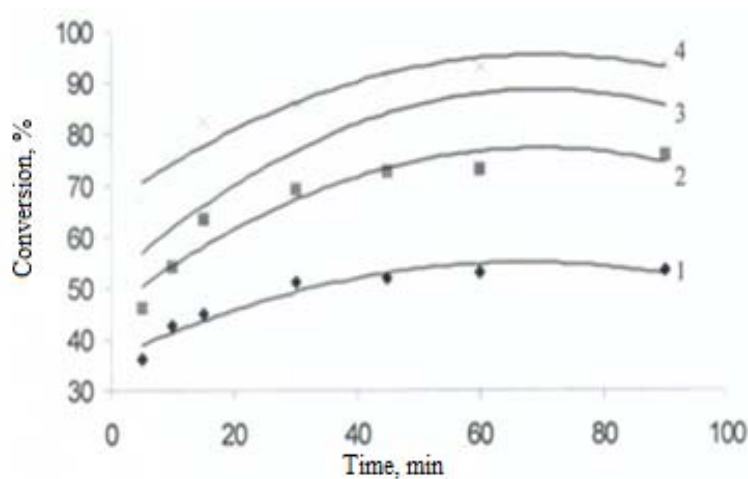


Figure 3 - Kinetic dependences of coal conversion

1 - fraction up to 653 K; 2 - fraction up to 673 K; 3 - fraction up to 693 K; 4 - fraction up to 713 K.

The main disadvantage of the equilibrium-kinetic analysis is the conditional reaction scheme. Of course, in the process of catalytic hydrogenation, several hundred individual compounds are obtained. As mentioned above, this presents the complexity of the calculations. For completeness of kinetic information, we, based on studies of the group composition of liquid products (table 1,) proposed the following scheme of the route for coal liquefaction:



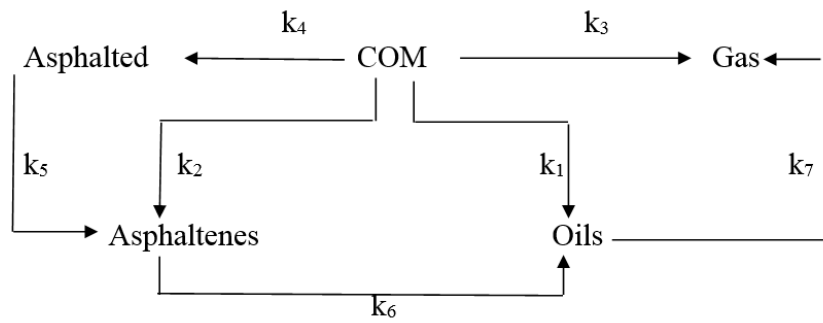


Table 1 - Group composition of products obtained during the hydrogenation of coal of the Mamyt deposit.

T, K	t, min	COM, %	Products, %			
			Asphaltenes	Asphalted	Gas	Oil+water
653	5	60.8	0.94	1.02	3.92	33.32
	10	58.6	0.99	1.08	4.35	34.98
	15	55.0	1.08	1.22	5.35	37.35
	30	50.6	1.23	1.43	6.18	40.56
	45	49.2	1.47	1.57	6.86	40.90
	60	48.8	1.39	1.46	7.15	41.20
	90	48.0	1.25	1.35	8.04	41.36
673	5	52.9	1.41	1.55	6.50	37.64
	10	46.6	1.71	1.87	8.06	41.76
	15	35.7	2.18	2.38	9.64	50.10
	30	31.8	2.45	2.66	11.05	52.04
	45	27.9	2.74	3.03	11.82	54.51
	60	27.0	2.64	2.95	12.07	55.34
	90	24.3	2.48	2.76	14.30	56.16
693	5	47.7	1.94	2.25	7.53	40.58
	10	36.6	2.68	3.25	9.87	47.90
	15	30.1	3.15	4.40	11.74	50.61
	30	23.5	3.83	5.66	13.46	53.55
	45	13.7	4.49	6.90	16.05	58.86
	60	13.4	4.47	6.86	16.51	58.76
	90	12.3	4.29	5.97	19.45	57.99
713	5	33.8	2.71	3.38	10.66	49.45
	10	25.9	3.85	5.11	13.56	51.58
	15	18.6	4.80	6.92	16.44	53.24
	30	13.5	5.54	8.39	19.46	53.11
	45	8.3	6.51	12.10	22.19	50.90
	60	7.0	6.45	12.04	25.33	49.18
	90	6.5	5.89	11.72	28.20	47.69

As was already shown in [21], it can be seen from the straight-line dependence of the graph in the  $\lg C-t$  coordinates that the hydrogenation reaction is described by a first-order equation. Then, according to the scheme proposals, the process can be described by the following scheme of differential equations:

$$\left\{ \begin{array}{l} \frac{\partial C_1}{\partial t} = -(k_1 + k_2 + k_3 + k_4)C_1 \\ \frac{\partial C_2}{\partial t} = k_2C_1 - k_6C_2 \\ \frac{\partial C_3}{\partial t} = k_4C_4 - k_5C_3 \\ \frac{\partial C_4}{\partial t} = k_3C_1 + k_7C_5 \\ \frac{\partial C_5}{\partial t} = k_1C_1 + k_6C_2 + k_5C_5 - k_7C_5 \end{array} \right. \quad (1)$$

where,  $C_1$  is the concentration of COM,  $C_2$  is the concentration of asphaltenes in the liquid product,  $C_3$  is the concentration of preasphaltenes in the liquid product,  $C_4$  is the concentration of gaseous products,  $C_5$  is the concentration of oils in the liquid product,  $k_1$  is the reaction rate constant for the conversion of COM into oil,  $k_2$  is the reaction rate constant for converting COM into asphaltene,  $k_3$  is the reaction rate constant for converting COM into gaseous products,  $k_4$  is the reaction rate constant for converting COM into pre-asphaltene,  $k_5$  is the reaction rate constant for converting oil into gaseous products,  $k_6$  is the reaction rate constant of the conversion of asphaltenes into oil,  $k_7$  is the reaction rate constant of the conversion of preasphaltenes into oil.

Using the program "SEARCH" according to equations-1 on a computer, all speed constants were calculated according to this scheme. The calculation results are shown in Table 2.

Table 2 - Kinetics of the hydrogenation process of the Mamyt coal.

Speed constant, min <sup>-1</sup>	Process stage	Hydrogenation temperature, K			
		653	673	693	713
$k_1$	COM→oils	1.556	2.501	3.049	4.600
$k_2$	COM→ asphaltenes	0.0691	0.1620	0.2370	0.4150
$k_3$	COM→gas	0.229	0.531	0.766	1.354
$k_4$	COM→ asphalted	0.0779	0.1770	0.2910	0.5860
$k_5$	asphalted →oils	1.24	1.231	$0.635 \cdot 10^{-3}$	$0.721 \cdot 10^{-3}$
$k_6$	asphaltenes →oils	1.3870	1.2350	0.4200	0.0012
$k_7$	oils→gas	$0.339 \cdot 10^{-4}$	$0.507 \cdot 10^{-4}$	$0.504 \cdot 10^{-4}$	0.107
$k_{\Sigma}$		1.932	3.371	4.343	6.955
F		2.55	1.88	1.63	1.39

F-criterion of minimization:

$$F = \sum_{j=1}^N \sum_{i=1}^N \left[ \frac{V_{\text{ксп}} - V_{\text{расч}}}{V_{\text{расч}}} \right]^2 \quad (2)$$

where,  $N$  is the number of measurements, in experiments,  $V_{\text{exp}}$ ,  $V_{\text{calc}}$  are the experimental and calculated values of the content of components in the hydrogenate.

Then, the Arrhenius dependence was constructed for the total rate constant ( $k_{\Sigma}$ ) of the process and the main directions of the reaction. In this case, all the points lay in a straight line.

The developed program for calculating the rate constants allows to calculate kinetic dependences under given initial conditions and to carry out automated selection by the gradient method of optimal values of the rate constants. The rate constants were optimized from the condition of minimum squared deviations between the experimental and calculated values of the mass fractions of the products of coal hydrogenation.

From analysis of the results of the rate constants presented in Table 2, we can conclude that the relationship between the rate constants and the yield of coal hydrogenation products is ambiguous. So, the oil yield is mainly due to the value of the rate constant  $k_1$ , as well as  $k_6$  and  $k_5$ , and the probability of the latter sharply decreases with increasing temperature. From table 2 it is seen that the cracking reaction of a liquid product to gaseous increases sharply at a temperature of 713 K. The constant values of the first four phases of the scheme increase with increasing temperature. The fastest phase is the phase of obtaining the target product ( $k_1$ ). The total constant of the coal hydrogenation process  $k_{\Sigma}$  increases with increasing temperature.

### Conclusion.

As the result the kinetic-thermodynamic picture of the process of coal hydrogenation at the Mamyt coal deposit obtained by us allows not only to get closer to the knowledge of the process mechanism, but also makes it possible to control the speed and selectivity of the process.

Ж.К.Каирбеков<sup>1,2</sup>, С.М. Суймбаева<sup>2</sup>, И.М. Желдыбаева<sup>2</sup>, М.З. Есеналиева<sup>2</sup>

<sup>1</sup> әл-Фараби атындағы Қазақ ұлттық университеті, Алматы, Қазақстан;

<sup>2</sup>ҒЗИ Жана химиялық технологиялар және материалдар, Алматы, Қазақстан

## МАМЫТ КӨМІРІН ГИДРОГЕНИЗАЦИЯЛАУ ҮДЕРІСІНІҢ КИНЕТИКАСЫ

**Аннотация.** Қатты көмірсутекті шикізатты өңдеудің жаңа тиімді технологияларын жасаудың, үдерістің оңтайлы параметрлері мен техникалық-экономикалық жағдайларын анықтаудың, аппараттық жасақтаманы жасау мен есептеудің, сонымен қатар мақсатты өнімдердің өзара байланысты үдерісті бақылау әдістерінің негізгі және қажетті шарты ретінде көмірдің органикалық массасының өзгеру механизмі, реакциялардың термодинамикалық және кинетикалық константаларын есептеу болып табылады.

Әр түрлі кен орындарының көмірлері физика-химиялық сипаттамалары, қасиеттері мен құрамы бойынша ерекшеленеді. Мұның бәрі көмірді гидрогенизациялау үдерістерінің кинетикасын зерттеуді қиындатады. Кинетикалық есептеулердегі қиындық жүйедегі параллель және тізбектелген көптеген реакцияларға байланысты болады.

Көмірдің химиялық құрылымының күрделілігіне, нәтижесінде алынатын сұйық өнімнің көптеген компоненттеріне байланысты көмірді гидрогенизациялау үдерісіне арналған көптеген кинетикалық сызбалар жүзеге асырылады, яғни нәтижелерді түсінуді қиындатады және кинетикалық параметрлерді есептеудегі белгісіздік тудырады.

Тепе-теңдік-кинетикалық талдау әдісі үдерістің күрделі кинетикалық-термодинамикалық бейнесін алуға мүмкіндік береді. Бірқатар артықшылықтарға қарамастан, бұл әдіс күрделі технологиялық үдерістер үшін айтарлықтай кемшіліктерге ие, себебі есептеулер параллельді және аралық реакцияларды ескермей қарапайым реакцияның сызбасы бойынша жүргізіледі.

Бұл жұмыста алғаш рет үдерістің кинетикалық заңдылықтарын түсіну мақсатында Мамыт кен орны көмірін гидрогенизациялаудың кинетикасы тепе-теңдік-кинетикалық талдау әдісімен зерттелген.

Тепе-теңдік-кинетикалық талдаудың басты кемшілігі - шартты реакция сызбасы. Әрине, каталикалық гидрогенизациялау үдерісінде бірнеше жүздеген жеке қосылыстар алынады. Бұл есептеулердің күрделілігін тудырады. Сұйық өнімдердің топтық құрамын зерттеу негізінде кинетикалық ақпараттың толықтығы үшін көмірді сұйылту бағытының сызбасы ұсындылды.

Графиктің  $\lg C-t$  координаттарындағы түзу тәуелділіктен гидрогенизациялау реакциясы бірінші ретті теңдеумен сипатталатындығы көрсетілді. Содан кейін ұсынылған сызбаға сәйкес үдерісті дифференциалдық теңдеулер түрінде сипаттауға болады.

Ұсынылған теңдеулерге сәйкес «ПОИСК» бағдарламасын қолдана отырып, барлық жылдамдық константалары компьютерде есептелінді.

Содан кейін үдерістің жалпы жылдамдығы ( $k_{\Sigma}$ ) мен реакцияның негізгі бағыттары үшін Аррениус тәуелділігі құрылды. Бұл жағдайда барлық нүктелер түзу сызыққа орналасады.

Жылдамдықтың тұрақтылығын есептеуге арналған бағдарлама берілген бастапқы шарттарда кинетикалық тәуелділікті есептеуге және  $k_1-k_7$  жылдамдық константаларының оңтайлы шамаларын градиент әдісімен автоматты таңдауға мүмкіндік береді. Көмірдің гидрогенизациялау өнімдерінің массалық үлестерінің эксперименттік және есептік мәні арасындағы минимумды квадраттық ауытқу жағдайында жылдамдық тұрақтылығы оңтайландырылды.

Талдау нәтижелерінен жылдамдық константалары мен көмір гидрогенизациялау өнімдерінің шығымдылығы арасындағы байланыс бір мәнді емес деген қорытынды жасауға болады. Сонымен, майдың шығымы ( $k_1$ ) көбінесе  $k_6$  (асфальтендер) және  $k_5$  (преасфальтендер) сияқты тұрақты жылдамдығымен анықталады, ал температура жоғарылағанда оның ықтималдығы күрт төмендейді. Ең жылдам кезең - мақсатты өнімді алу кезеңі ( $k_1$ ) болып табылады. Көмірді гидрогенизациялау үдерісінің жалпы тұрақтысы  $k_{\Sigma}$  температура жоғарлағанда артады.

Сонымен, Мамыт кен орны көмірін гидрогенизациялау үдерісі туралы алынған кинетикалық-термодинамикалық көрініс бізге технологиялық механизм туралы білім алуға ғана емес, сонымен қатар жылдамдық пен селективтілікті бақылауға мүмкіндік береді.

**Түйін сөздер:** кинетика, Мамыт, көмір, гидрогенизациялау, жылдамдық константасы, май, асфальтен, преасфальтен, тепе-теңдік кинетикалық талдау.

Ж.К.Каирбеков<sup>1,2</sup>, С.М. Суймбаева<sup>2</sup>, И.М. Желдыбаева<sup>2</sup>, М.З. Есеналиева<sup>2</sup>

<sup>1</sup> РГП Казахский национальный университет им. аль-Фараби, Алматы, Казахстан;

<sup>2</sup> ДГП НИИ Новых Химических Технологий и Материалов, Алматы, Казахстан

### КИНЕТИКА ПРОЦЕССА ГИДРОГЕНИЗАЦИИ МАМЫТСКОГО УГЛЯ

**Аннотация.** Основным и необходимым условием для разработки новых эффективных технологий переработки твердого углеводородного сырья, определения оптимальных параметров и технико-экономических условий проведения процесса, создания и расчета аппаратурного оформления, а также методов регулирования процессом в зависимости от назначения целевых продуктов является изучение механизма превращений органической массы угля, расчет термодинамических и кинетических констант протекающих реакций.

Угли различных месторождений отличаются по своим физико-химическим характеристикам, свойствам и составу. Все это осложняет изучение кинетики процессов гидрогенизационной переработки угля. Большое затруднение в кинетических расчетах вызывает множество одновременно протекающих параллельных и последовательных реакций в системе.

Из-за сложности химического строения угля, многокомпонентности образующихся жидких продуктов реализуется большое количество разнообразных кинетических схем процесса гидрогенизации угля, что обуславливает трудность интерпретации результатов и неопределенность расчета кинетических параметров.

Метод равновесно-кинетического анализа позволяет получить комплексную кинетико-термодинамическую картину процесса. Несмотря на ряд достоинств, этот метод имеет существенный недостаток для сложных технологических процессов, так как расчеты ведутся для условной общей схемы реакции, в которой не учитываются параллельные и промежуточные направления.

В данной работе впервые методом равновесно-кинетического анализа исследована кинетика гидрогенизации угля Мамытского месторождения с целью получения кинетических закономерностей процесса.

Основным недостатком равновесно-кинетического анализа является условная схема реакции. Конечно, в процессе каталитической гидрогенизации получается несколько сотен индивидуальных соединений. В этом и заключается сложность расчетов. Для полноты кинетической информации нами на основании исследований группового состава жидких продуктов предложена схема маршрута ожигения угля.

Из прямолинейной зависимости графика в координатах  $\lg C-t$  показано, что реакция гидрогенизации описывается уравнением первого порядка. Тогда, согласно предложенной схеме, процесс может быть описан в виде дифференциальных уравнений.

Используя программу «ПОИСК» по предложенным нами уравнениям на ЭВМ были рассчитаны все константы скорости.

Далее была построена аррениусовская зависимость для суммарной константы скорости ( $k_{\Sigma}$ ) процесса и основных направлений реакции. При этом все точки легли на прямую линию.

Разработанная программа для расчетов констант скоростей позволяет рассчитывать кинетические зависимости при заданных начальных условиях и проводить автоматизированный подбор методом градиента оптимальных значений констант скоростей  $k_1-k_7$ . Оптимизация констант скоростей осуществлялась из условия минимума квадратов отклонений между экспериментальными и расчетными значениями массовых долей продуктов гидрогенизации угля.

Из анализа результатов констант скоростей, можно сделать вывод о том, что взаимосвязь констант скоростей и выхода продуктов гидрогенизации угля неоднозначно. Так, выход масел ( $k_1$ ), в основном, обусловлен величиной константы скорости  $k_1$ , а также  $k_6$  (асфальтены) и  $k_5$  (преасфальтены), причем вероятность последних с увеличением температуры резко уменьшается. Самой быстрой стадией является стадия получения целевого продукта ( $k_1$ ). Суммарная константа процесса гидрогенизации угля  $k_{\Sigma}$  увеличивается с повышением температуры.

Таким образом, полученная нами кинетико-термодинамическая картина процесса гидрогенизации угля Мамытского месторождения позволяет не только приблизиться к знанию механизма процесса, но и дает возможность регулировать скорость и селективность процесса.

**Ключевые слова:** кинетика, Мамыт, уголь, гидрогенизация, константа скоростей, масла, асфальтен, преасфальтен, равновесно-кинетический анализ.

#### Information about authors:

Kairbekov Zhaksyntay Kairbekovich - Doctor of Chemical Sciences, Professor, Head of the Laboratory of SSE Scientific Research Institute New Chemical Technologies and Materials RSE al-Farabi Kazakh National University, Karasai batyr 95A, working tel.: 8 (727) 2921786, mob : 87011584400, 87071384400, e-mail: [zh\\_kairbekov@mail.ru](mailto:zh_kairbekov@mail.ru), <https://orcid.org/0000-0002-0255-2330>

Suimbayeva Saltanat Malikovna, Ph.D.-doctor, Senior researcher SSE Scientific Research Institute New chemical technologies and materials RSE al-Farabi Kazakh National University, Karasai batyr str. 95A, working tel.: 8 (727) 2923732, mob. : 87073338729, 87012370003, e-mail: [saltanat\\_suimbayeva@mail.ru](mailto:saltanat_suimbayeva@mail.ru), <https://orcid.org/0000-0003-3990-4974>

Jeldybaeva Indira Mukhametkerimovna, Ph.D.-doctor, Senior researcher SSE Scientific Research Institute New chemical technologies and materials RSE al-Farabi Kazakh National University, Karasai batyr str. 95A, working tel. : 8 (727) 2923732, mob. : 87079669796, 87026669796, e-mail: [indik0\\_87@mail.ru](mailto:indik0_87@mail.ru), <https://orcid.org/0000-0002-1524-4046>

Yessenaliyeva Manshuk Zinullaevna, Candidate of Chemical Sciences, Chief SSE Scientific Research Institute New chemical technologies and materials RSE al-Farabi Kazakh National University, Karasai batyr str. 95A, working tel. : 8(727)2921786, mob.: 87073583921, e-mail: [manshuk.yessenaliyeva@mail.ru](mailto:manshuk.yessenaliyeva@mail.ru), <https://orcid.org/0000-0002-0817-2048>

## REFERENCES

- [1] Kairbekov ZH., Dzheldybayeva I.M. (2019) Integrated processing of solid fossil fuels: status and prospects [Kompleksnaya pererabotka tverdykh goryuchikh iskopayemykh: sostoyaniye i perspektivy]. - Almaty: Tipografiya «IP Volkova Ye.V.», P. 168. ISBN 978-601-04-4132-3 (in Russ.).
- [2] Kairbekov ZH.K., Toktamysov M.T., Zhalgasuly N., Yeshova ZH.T. (2014) Complex brown coal processing in Central Kazakhstan [Kompleksnaya pererabotka burykh ugley Tsentral'nogo Kazakhstana]. Almaty.: Izd-vo "Kazak universiteti". ISBN 978-601-04-0852-4 (in Russ.).
- [3] Kairbekov ZH.K., Aubakirov Ye.A., Myltykbayeva ZH.K., Smagulova N.T. (2017) Complex processing of brown coal in eastern Kazakhstan [Kompleksnaya pererabotka burykh ugley vostochnogo Kazakhstana]. Almaty, Kazak universiteti, P.392 . ISBN 978-601-04-2755-6 (in Russ.).
- [4] ZH.K. Kairbekov, E.T. Yermoldina, A.ZH. Kairbekov, I.M. Dzheldybayeva. (2018) Complex processing of brown coal of South Kazakhstan [Kompleksnaya pererabotka burykh ugley Yuzhnogo Kazakhstana] / Monografiya: Almaty - Kazak univeriteti, P. 454. ISBN978-601-04-3090-7 (in Russ.).
- [5] Szladow A., Given P.H. (1982) Chem.Eng.Comm. 19.:115. ISBN 0-85186-564-X (in Eng).
- [6] Gyul'maliyev A.M., Abakumova L.G. (1996) Solid Fuel Chemistry [Khimiya tverdogo topliva] 2: 77. (in Russ).
- [7] Krichko A.A., Gagarin S.G. (1987) Solid Fuel Chemistry [Khimiya tverdogo topliva] 1:72-77. (in Russ.).
- [8] Yulin M.K.(1991) Solid Fuel Chemistry [Khimiya tverdogo topliva] 4:104-110. (in Russ.).
- [9] Malyshev VP (1981) Alma-Ata: Nauka KazSSR, 116. (In Russ.)
- [10]Malyshev VP, Shkodin VG (1980) Alma-Ata: Gylym, 112. (In Russ.)
- [11]Bizhanov FB, Sokol'skiy DV, Sadykov UA. (1978) V kn.: Okisleniye i vosstanovleniye v zhidkoy faze. A-Ata: Nauka. 19:151-160. (In Russ.).
- [12]Kairbekov ZhK, Jeldybayeva IM, Yermoldina ET (2019) Development of Nanosized Iron and Iron-Molybdenum Catalysts Based on magnetic composites for the hydrogenation of Coal // Chemical Journal of Kazakhstan, 2 (66):141-149. (In Eng)
- [13]Kairbekov ZhK, Gyulmaliev AM, Yarkova TA, Smagulova NT and Kairbekov AZh (2015) Coke and Chemistry, 58,10:367-371. (In Eng).
- [14]Yarkova TA, Kairbekov ZhK, Yeshova ZhT, Aubakirov YeA, Kairbekov AZh, Gyul'maliyev AM (2017). Chemistry and Technology of Fuels and Oils [Khimiya i tekhnologiya topliv i masel] 1(599): 30-35 (In Russ.).
- [15]Kairbekov ZhK, Maloletnev AS, Dzheldybaeva IM, Sabitova AN, Ermoldina ET (2017) Solid Fuel Chemistry [Khimiya tverdogo topliva] 51,6:365-369. ISSN 0361-5219. (In Eng).
- [16]Kairbekov ZhK, Maloletnev AS, Suimbaeva SM, Dzheldybaeva IM (2018) Solid Fuel Chemistry [Khimiya tverdogo topliva] 2:1-6. (in Russ.).
- [17]Kairbekov ZhK, Jeldybayeva IM, Yermoldina YeT, Akhmetov T (2018) Chemical Journal of Kazakhstan, 4 (64):124-129. (In Eng).
- [18]Kairbekov ZhK, Jeldybayeva IM, Aubakirov EA, Yermoldina ET (2019) Chemical Journal of Kazakhstan, №2 (66):84-89. (In Eng).
- [19]Dzheldybayeva IM, Kairbekov ZhK, Maloletnev AS, Suimbaeva SM, Yermoldina ET (2019) Solid Fuel Chemistry [Khimiya tverdogo topliva] 4:40-45. (in Russ.).
- [20]Ospanov KhK (1997) Kinetika gomogennykh i geterogennykh khimicheskikh protsessov // Almaty: izd-vo KazGU.145 (In Russ.).

## **Publication Ethics and Publication Malpractice in the journals of the National Academy of Sciences of the Republic of Kazakhstan**

For information on Ethics in publishing and Ethical guidelines for journal publication see <http://www.elsevier.com/publishingethics> and <http://www.elsevier.com/journal-authors/ethics>.

Submission of an article to the National Academy of Sciences of the Republic of Kazakhstan implies that the described work has not been published previously (except in the form of an abstract or as part of a published lecture or academic thesis or as an electronic preprint, see <http://www.elsevier.com/postingpolicy>), that it is not under consideration for publication elsewhere, that its publication is approved by all authors and tacitly or explicitly by the responsible authorities where the work was carried out, and that, if accepted, it will not be published elsewhere in the same form, in English or in any other language, including electronically without the written consent of the copyright-holder. In particular, translations into English of papers already published in another language are not accepted.

No other forms of scientific misconduct are allowed, such as plagiarism, falsification, fraudulent data, incorrect interpretation of other works, incorrect citations, etc. The National Academy of Sciences of the Republic of Kazakhstan follows the Code of Conduct of the Committee on Publication Ethics (COPE), and follows the COPE Flowcharts for Resolving Cases of Suspected Misconduct ([http://publicationethics.org/files/u2/New\\_Code.pdf](http://publicationethics.org/files/u2/New_Code.pdf)). To verify originality, your article may be checked by the Cross Check originality detection service <http://www.elsevier.com/editors/plagdetect>.

The authors are obliged to participate in peer review process and be ready to provide corrections, clarifications, retractions and apologies when needed. All authors of a paper should have significantly contributed to the research.

The reviewers should provide objective judgments and should point out relevant published works which are not yet cited. Reviewed articles should be treated confidentially. The reviewers will be chosen in such a way that there is no conflict of interests with respect to the research, the authors and/or the research funders.

The editors have complete responsibility and authority to reject or accept a paper, and they will only accept a paper when reasonably certain. They will preserve anonymity of reviewers and promote publication of corrections, clarifications, retractions and apologies when needed. The acceptance of a paper automatically implies the copyright transfer to the National Academy of Sciences of the Republic of Kazakhstan.

The Editorial Board of the National Academy of Sciences of the Republic of Kazakhstan will monitor and safeguard publishing ethics.

Правила оформления статьи для публикации  
в журнале смотреть на сайте:

[www.nauka-nanrk.kz](http://www.nauka-nanrk.kz)

<http://chemistry-technology.kz/index.php/en/arhiv>

[ISSN 2518-1491 \(Online\)](#), [ISSN 2224-5286 \(Print\)](#)

Редакторы: *М. С. Ахметова, Г. Б. Халидуллаева, Д. С. Аленов*  
Верстка на компьютере *А.М. Кульгинбаевой*

Подписано в печать 13.02.2020.

Формат 60x88<sup>1</sup>/<sub>8</sub>. Бумага офсетная. Печать – ризограф.  
7,8 п.л. Тираж 300. Заказ 1.